

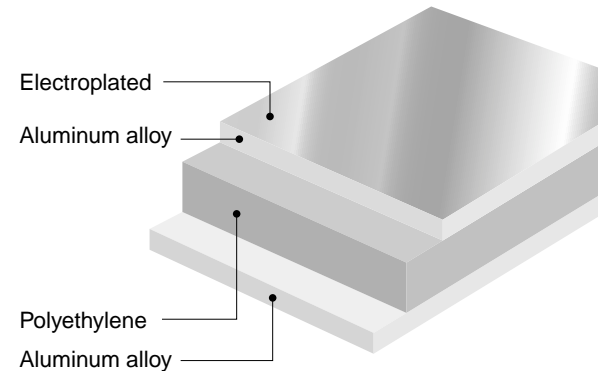
A-LOOK

Shatterproof, Light-weight, Mirror-finished Panel



Material Components

A-LOOK is a composite material made by laminating a polyethylene core between two sheets of aluminum alloy. The decorative surface has an electroplated layer.



Physical Properties

Weight

2.9kg/m²–2mm thickness

3.9kg/m²–3mm thickness

Impact Resistance

Unlike glass, A-LOOK will not shatter or break.

Caution : impact with a sharp object will cause depressions and surface distortion.

Fire Test Results

Country	Test Standard	Results & Classification
United Kingdom	BS476, Part 6 Part 7	Class 0 Class 1
Germany	DIN 4102 Part 1	Class B2
USA	ASTM E-84	Class A or Class 1

Suggested Application

Ceiling Tile (for indoor use only)

Product dimension

Thickness: 2mm

Size: 609×609mm(2'×2'), 609×1219mm(2'×4')

Note 1: 3mm thick is available upon request.

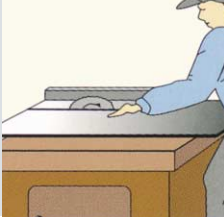



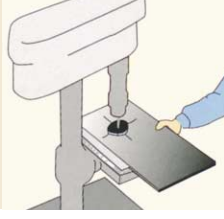
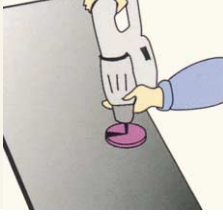
Note 2: 1219×2438mm(4'×8') is available upon request.

Color: Chrome



Mechanical Process

It is easy to shape A-LOOK to your required design.
Suitable machines and tools are summarized as follows :

Cut / Drill	In Factory	At Job Site
Straight Cutting	 Circular sawing machine (Panel saw)	 Hand circular saw
Curved Cutting	 Hand router	 Hand router
Cutting Out Circles	 Drilling machine (Hand router)	 Hand drill (Hand router)
Cutting Out Squares	Hand router	Hand router
Drilling	Drilling machine	Hand drill

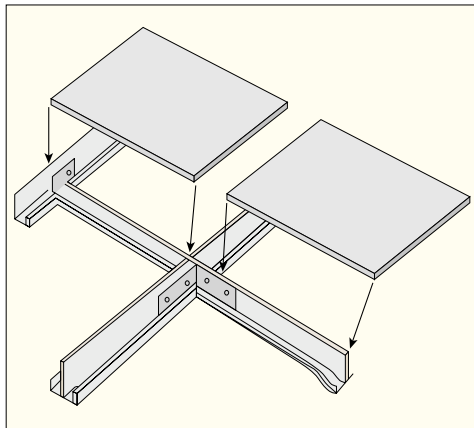
Installation

A-LOOK is installed in suspended ceiling systems.

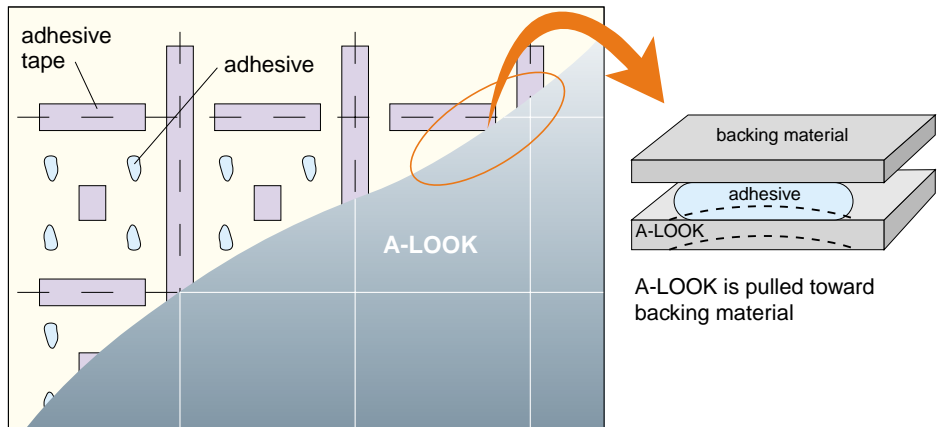
A-LOOK can be adhered to the ceiling with foamed double-faced adhesive tape (3M4008 – $\frac{1}{8}$ " = 3mm thick, 3M4026 – $\frac{1}{16}$ " = 1.5mm thick or equal tape is recommended.) and also a special adhesive, which has been developed for glass mirror installation.

(The adhesive tape should cover 10-20% of the A-LOOK area.)

Suspended ceiling system



Method by adhesive tape and adhesive



caution : Distortion may occur in A-LOOK surface due to the shrinkage of adhesive. Therefore great care should be taken in the selection of adhesives.

MITSUBISHI PLASTICS, INC.
Composite Materials Department
2-2, Nihonbashihongokuchō 1-chōme
Chuo-ku, Tokyo 103-0021 Japan
Telephone : 81-3-3279-3064 / 3065
Facsimile : 81-3-3279-6672
E-mail : mks-ho-apolpic@cc.m-kagaku.co.jp

MITSUBISHI CHEMICAL SINGAPORE PTE LTD
Composite Materials Department
79 Anson Road, #12-01 Singapore 079906
Telephone : 65-6226-1597
Facsimile : 65-6221-3373
E-mail : SIN0027@cc.m-kagaku.co.jp

MITSUBISHI PLASTICS, INC.
Turkey Liaison Office
Bağlarbaşı Kisikli Cad., No:4, Sarkuysan-Ak
İs Merkezi, S-Blok, Teras Kat,
Altunizade, Uskudar, 34664 İstanbul, Turkey
Telephone : 90-216-651-8670/71/72
Facsimile : 90-216-651-8673
E-mail : info@alpolpic.com.tr